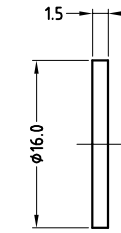
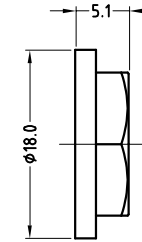


FIBRE WASHER

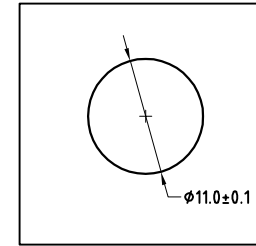
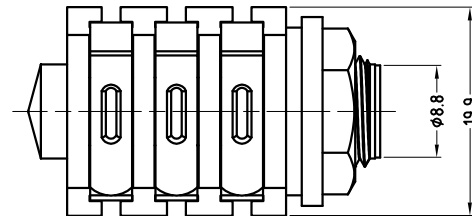
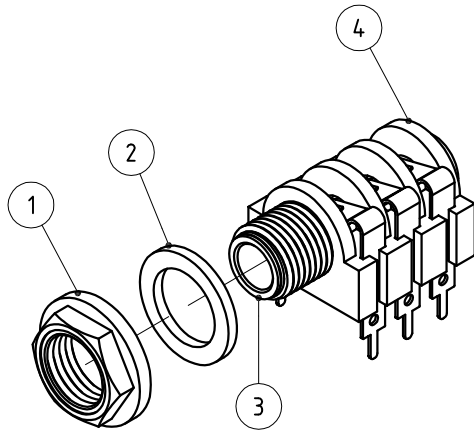
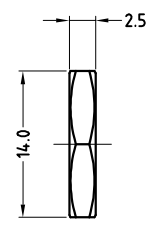


**NUT OPTIONS**

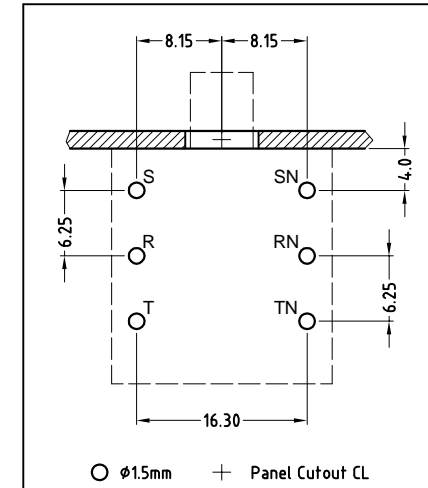
PLASTIC NUT



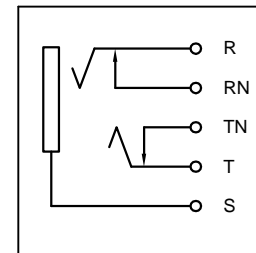
METAL NUT



PANEL CUTOUT



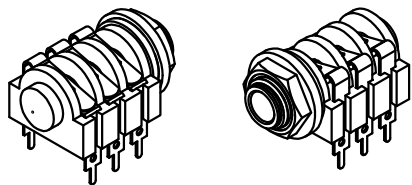
PCB LAYOUT



SCHEMATIC

ITEM	DESCRIPTION
1	METAL/PLASTIC NUT
2	FIBRE WASHER
3	METAL TUBE INSERT
4	CONNECTOR ASSEMBLY

PART No.	CATALOG No.	DESCRIPTION
55010098-000	ACJS-MC	METAL NUT
55010098-001	ACJS-PC	PLASTIC NUT



ISO VIEW

REV.	CHANGE NUMBER & PART VARIATION NUMBER UPDATE DRAWING TO CURRENT PART	L.V	DATE	CHG/No
1	CHANGE DRAWING NUMBER & PART VARIATION NUMBER UPDATE DRAWING TO CURRENT PART	L.V	07-07-04	8293
0	FIRST ISSUE	L.V	17-10-01	----

UNLESS OTHERWISE SPECIFIED TOLERANCE TO BE		THIS DOCUMENT IS THE PROPERTY OF AMPHENOL AUSTRALIA PTY. LTD. NO PART THEREOF MAY BE REPRODUCED AND USED WITHOUT THE PRIOR WRITTEN CONSENT OF THE OWNER			
LINEAR	ANGULAR	CAD FILE:	DRN:	L.V	DATE: 17-10-01
X ± 0.5	X° ± 1°	55010098000111	CKD:	M.N.H	DATE: 13-01-06
X,X ± 0.1	X°X' ± 30'	MATL: REFER TO COMPONENT	APP'D:	P.M	DATE: 13-01-06
X,X ± 0.05	X°X'X" ± 15'	DO NOT SCALE	FINISH: REFER TO COMPONENT		
BREAK ALL SHARP EDGES AND REMOVE ALL BURRS		DIMENSIONS IN MILLIMETRES			
THIRD ANGLE PROJECTION		SCALE:	2:1 UOS	PART No:	REFER TO TABLE

TITLE: <b>1/4" STEREO JACK PCB &amp; SODLER LUG CUSTOMER DRAWING</b>		<b>Amphenol</b>	
DRAWING NO. 55010098-000-1		SHEET 1 OF 1	
Amphenol Australia Pty Ltd, 2 Finemays Blvd, Keysborough, Vic 3173			